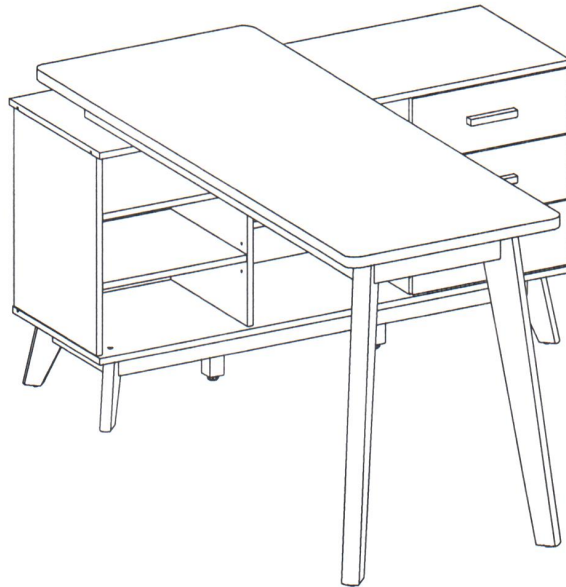
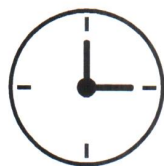
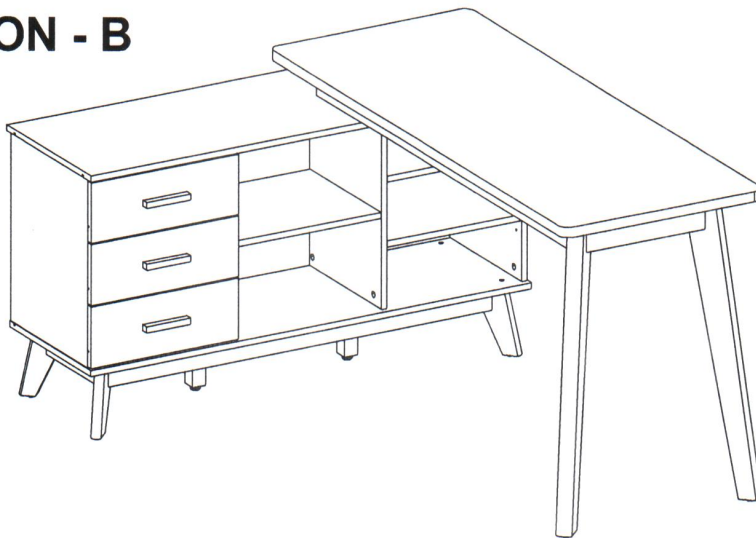


ISY MEJA BELAJAR SUDUT



OPTION - A

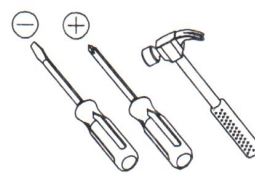
OPTION - B

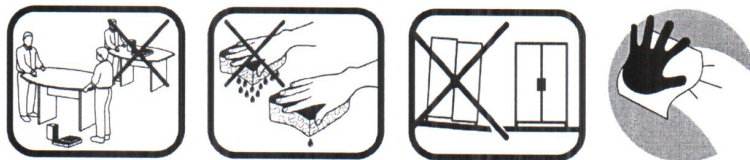
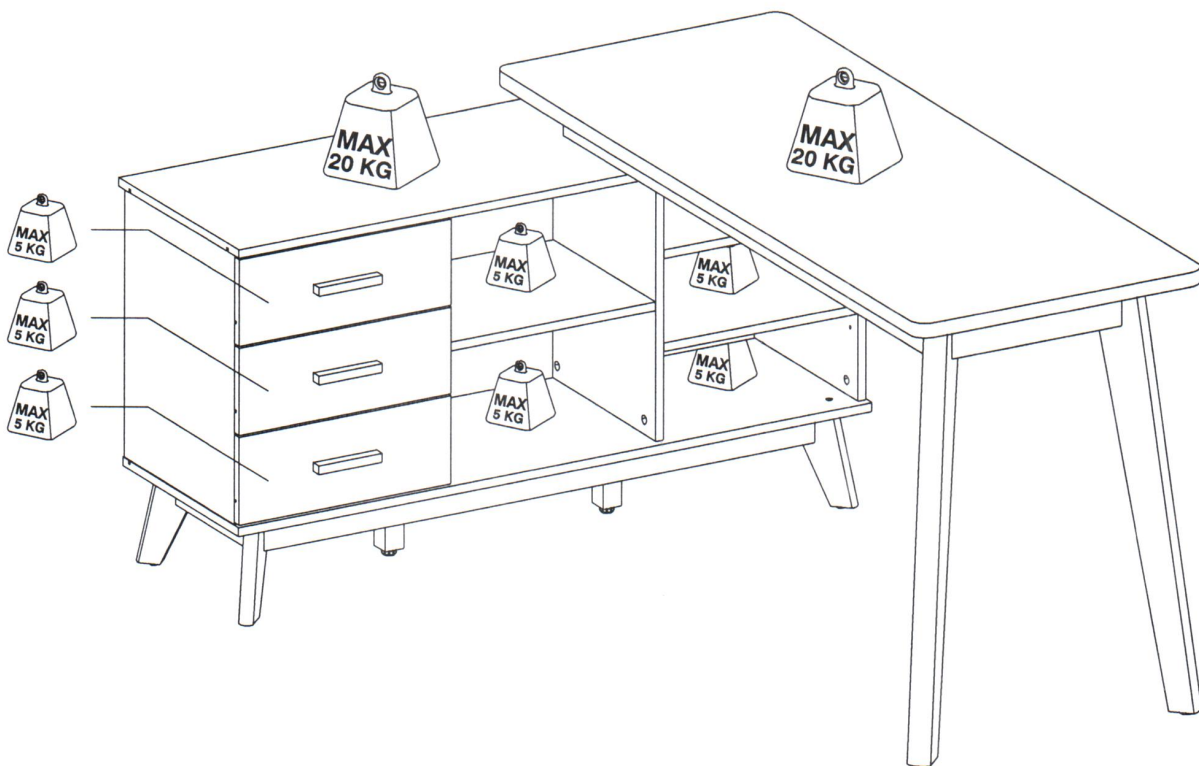


60 Menit



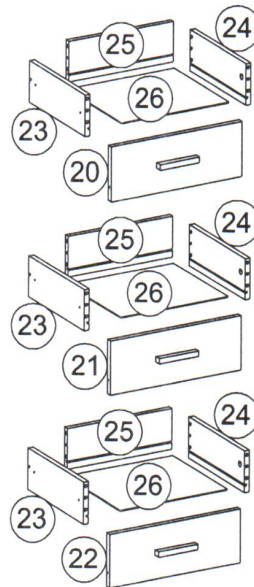
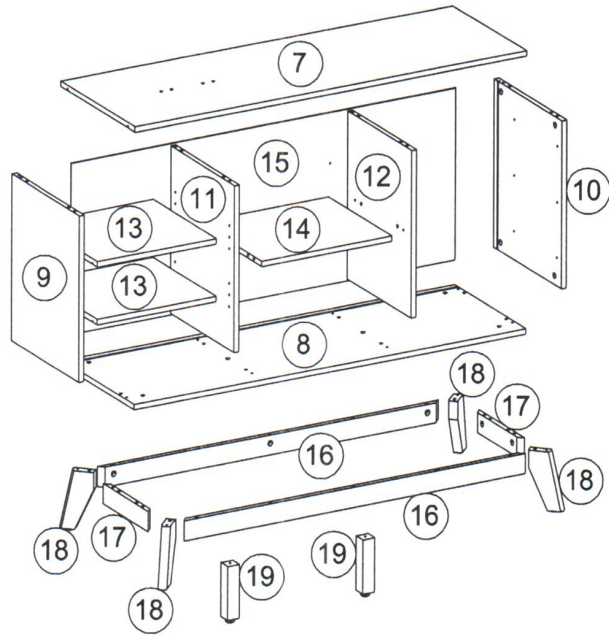
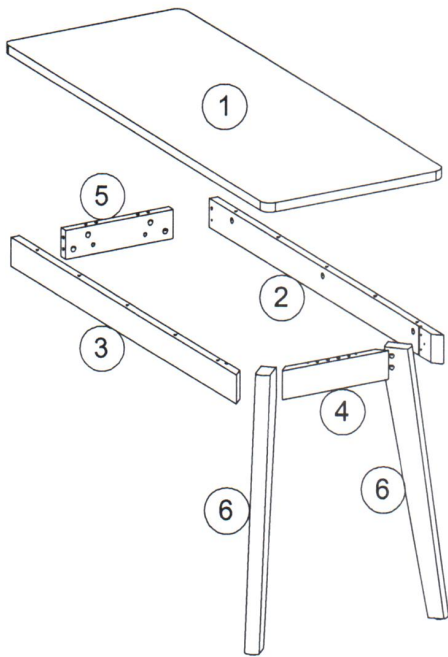
2 Orang



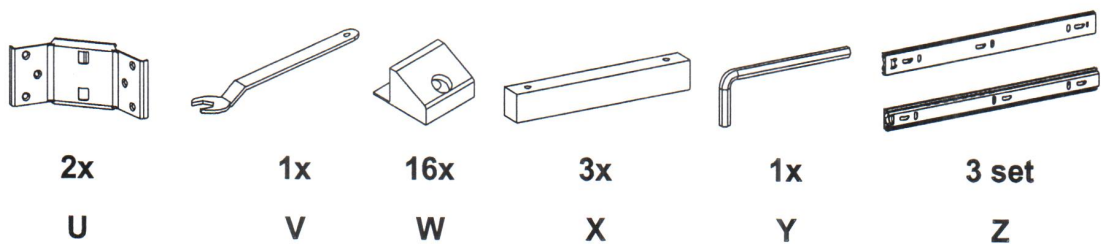
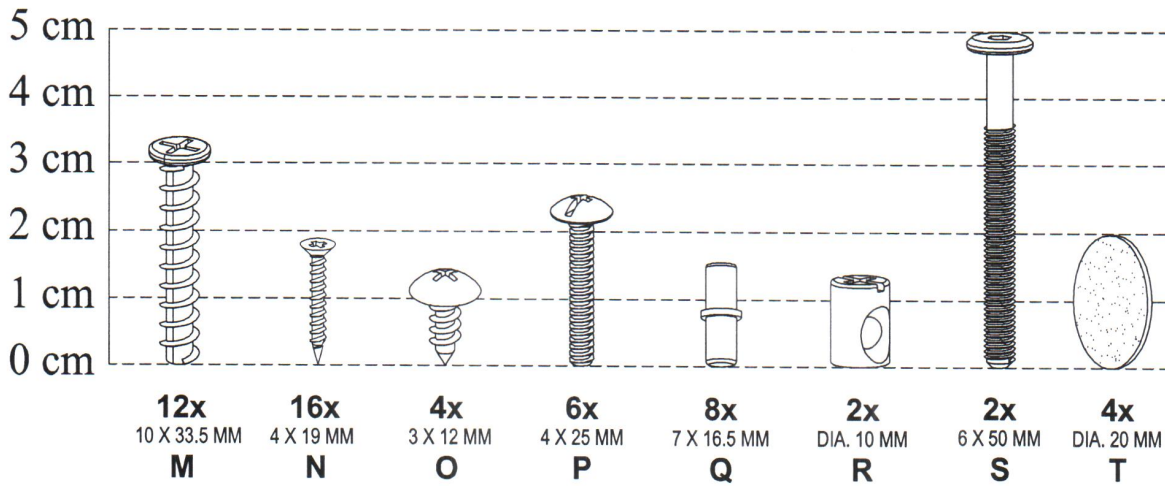
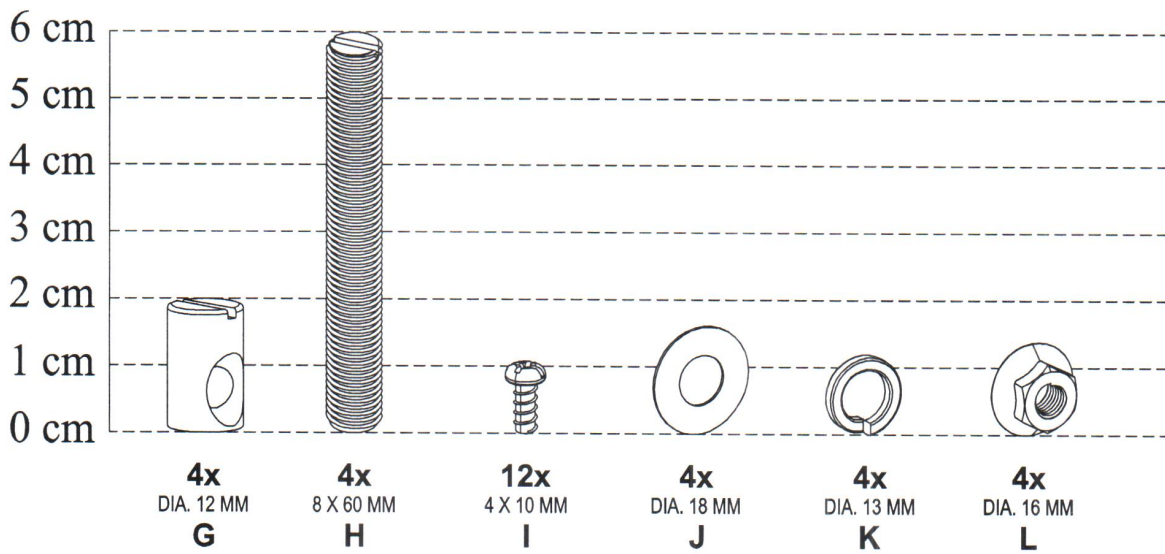
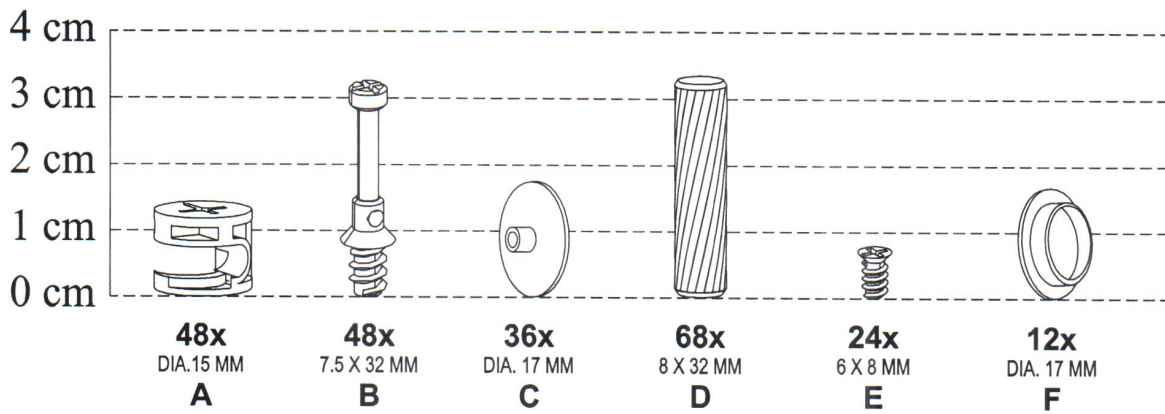


1. Beban pada ilustrasi di bagian **INFORMASI PRODUK** adalah beban dalam keadaan diam dengan distribusi merata pada semua permukaan.
2. Pindahkan produk ini dengan cara mengangkat, jangan didorong karena dapat merusak bagian kaki.
3. Bila terkena cairan, langsung bersihkan dengan menggunakan kain yang lembut.
4. Jangan meletakkan benda-benda bersuhu tinggi tanpa menggunakan alas.
5. Permukaan produk tidak boleh terkena cairan kimia. contoh : thinner, cat kuku.
6. Membersihkan produk cukup dengan kain kering, namun bila diperlukan dapat menggunakan kain lembab bukan basah.
7. Jangan memanjat atau bergelantungan di laci, pintu atau rak.
8. Letakkan benda berat di laci paling bawah.
9. Laminasi permukaan menggunakan material dasar Kertas.
10. Jangan meletakkan benda panas langsung diatas permukaan. Selalu gunakan tatakan penahan panas. Terdapat resiko permukaan bergelembung akibat kontak fisik dengan benda panas akibat penguapan lapisan adesif antara papan kayu dengan lapisan laminasi.
11. Jangan meletakkan benda basah langsung diatas permukaan. Selalu gunakan tatakan agar permukaan tidak terkena cairan. Terdapat resiko permukaan berubah warna dan lapisan menjadi lapuk akibat kontak fisik dengan benda basah.

PART LIST



HARDWARE LIST



1**A**

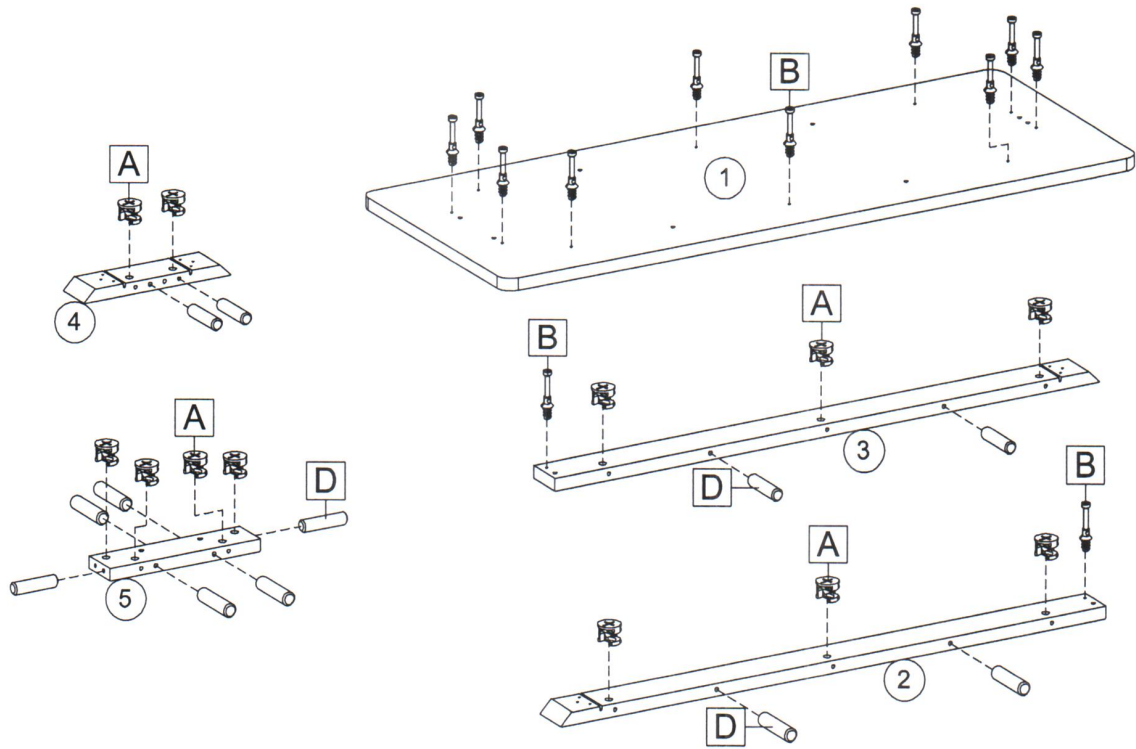
12x

B

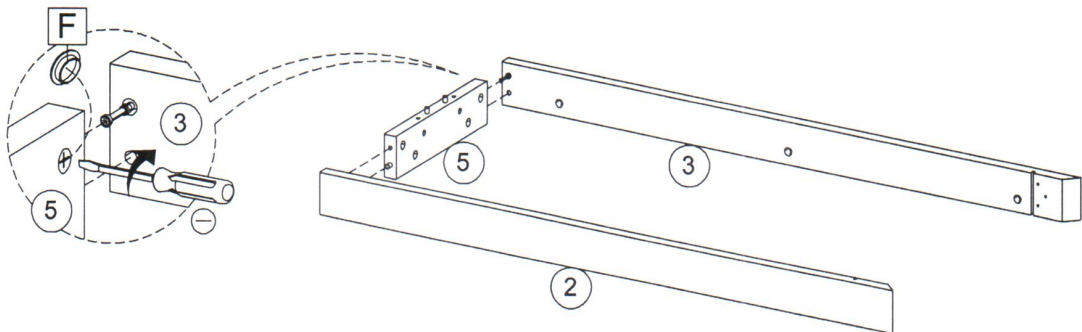
12x

D

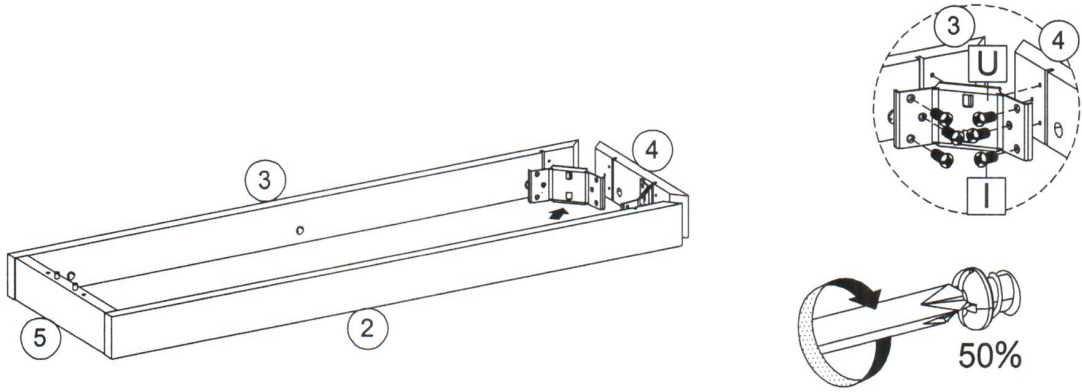
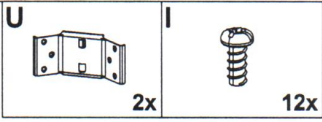
12x

**2****F**

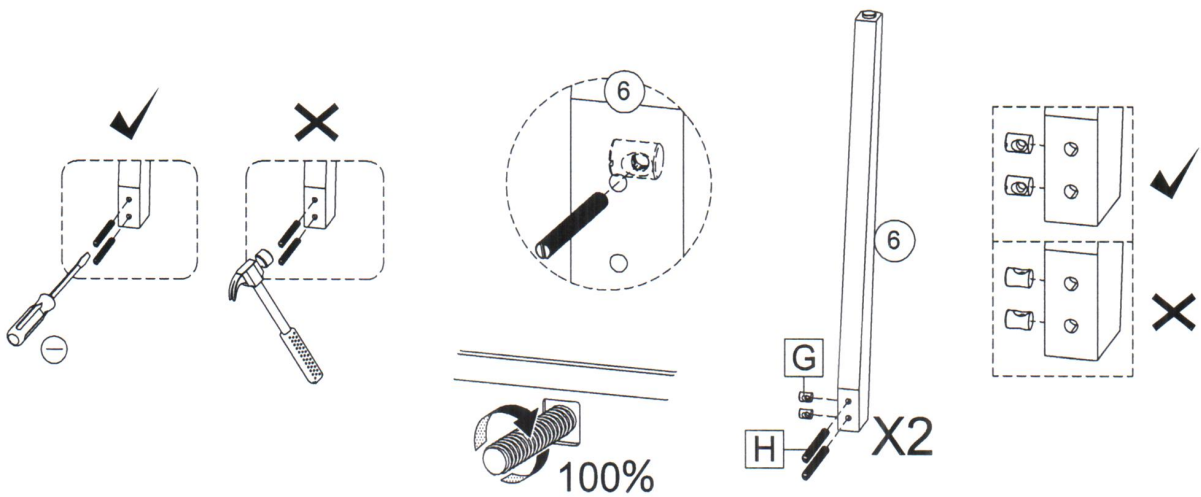
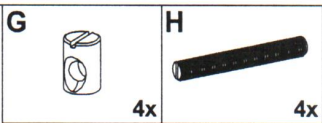
2x



3



4








The first part of the document discusses the importance of maintaining accurate records of all transactions. It emphasizes that every entry, no matter how small, should be recorded to ensure the integrity of the financial data. This includes not only sales and purchases but also expenses and income. The text suggests that a systematic approach to record-keeping is essential for identifying trends and making informed decisions.

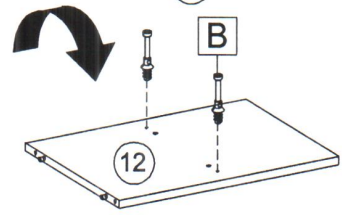
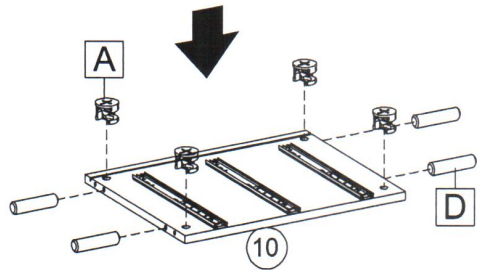
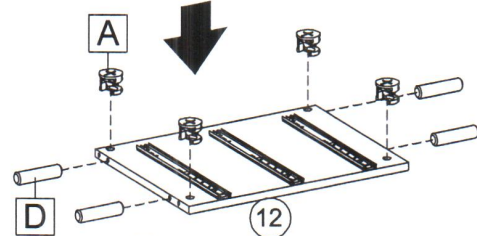
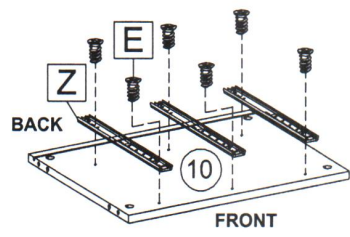
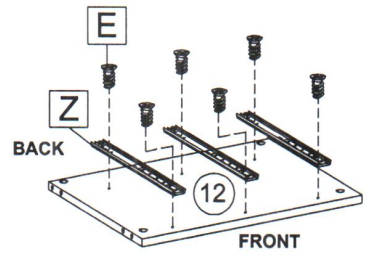
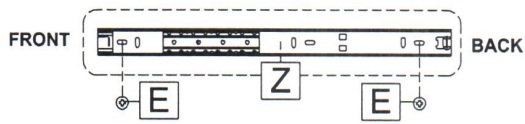
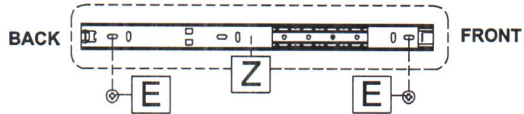
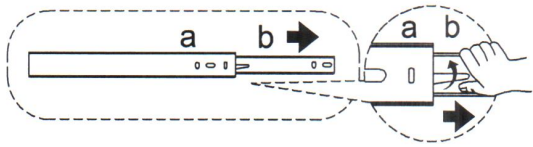
Next, the document addresses the issue of budgeting. It states that a well-defined budget is crucial for controlling costs and maximizing resources. By setting clear financial goals and allocating funds accordingly, individuals and organizations can avoid overspending and stay on track. The text provides practical tips for creating a budget, such as tracking current spending and identifying areas for potential savings.

The third section focuses on the role of technology in financial management. It highlights how modern software solutions can streamline processes, reduce errors, and provide real-time insights into financial performance. From automated invoicing to cloud-based accounting systems, the document explores various tools that can enhance efficiency and accuracy. It also notes that while technology offers many benefits, it is important to choose solutions that are user-friendly and secure.


Finally, the document concludes by emphasizing the importance of regular financial reviews. It advises that periodic assessments of financial health are necessary to catch any discrepancies early and adjust strategies as needed. This could involve monthly reconciliations, quarterly budget reviews, or annual audits. The text encourages a proactive approach to financial management, ensuring that all aspects of the organization's finances are under constant review and control.

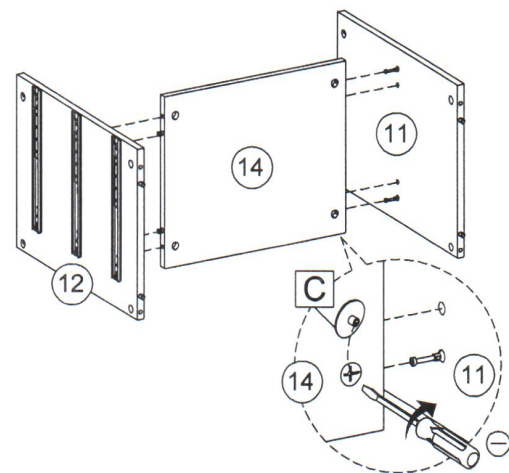
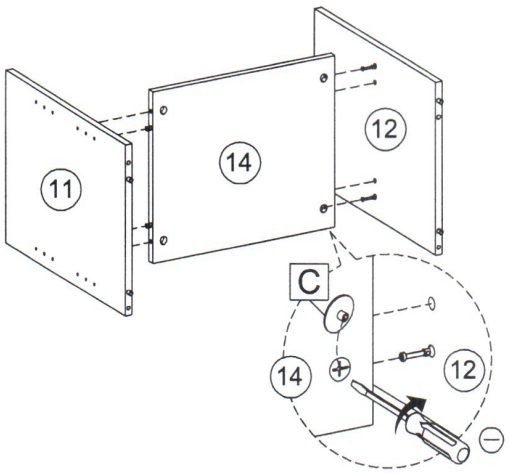
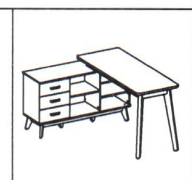
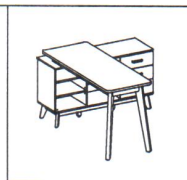
9

- A  8x
- B  2x
- D  8x
- E  12x
- Z  3x

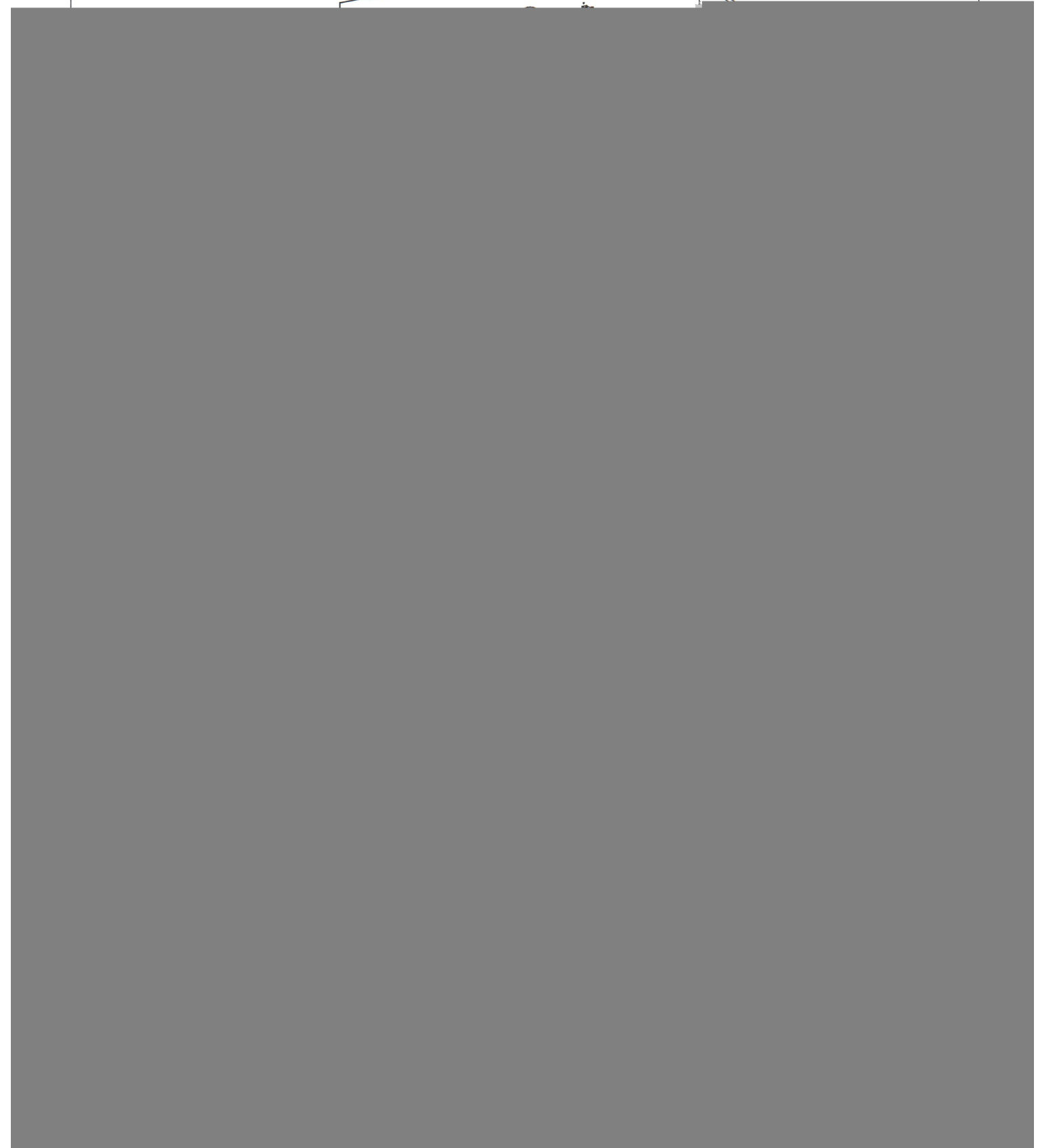
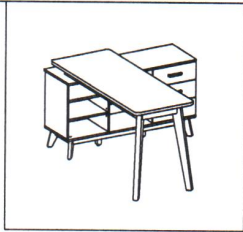


10



- C  4x

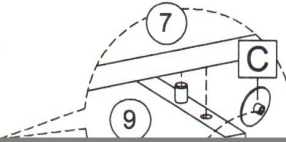
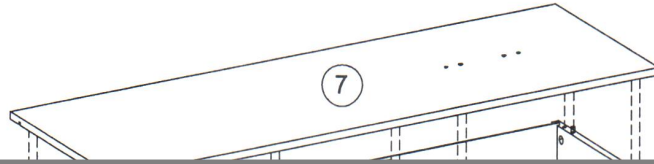
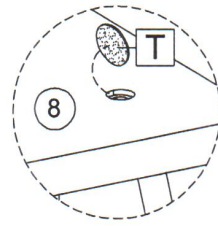
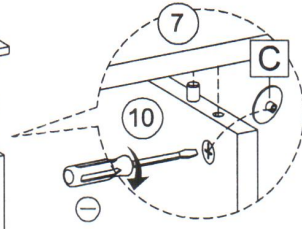
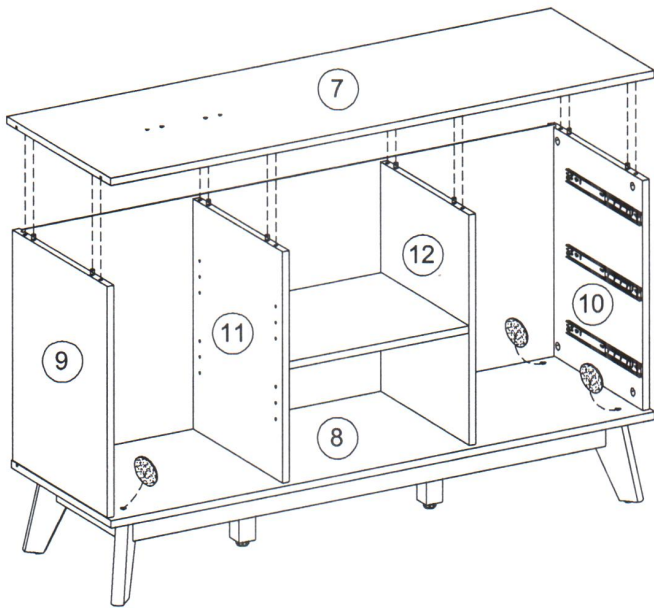


15



16

C		T	
	8x		4x



17

W

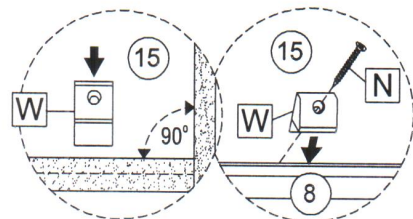
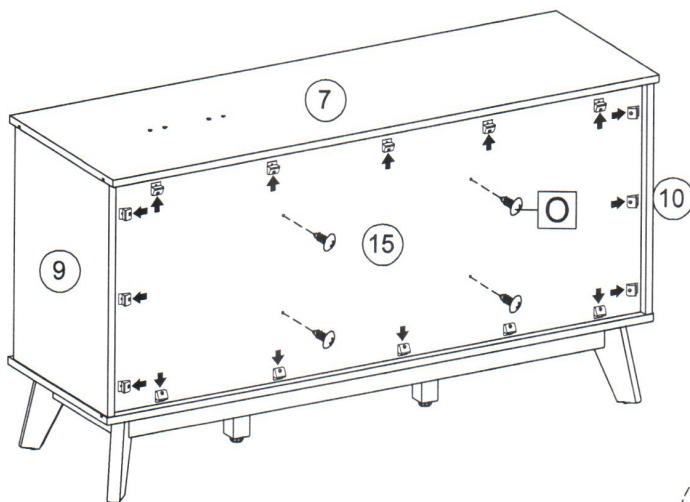
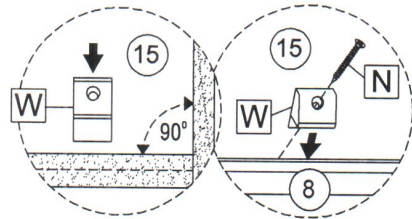
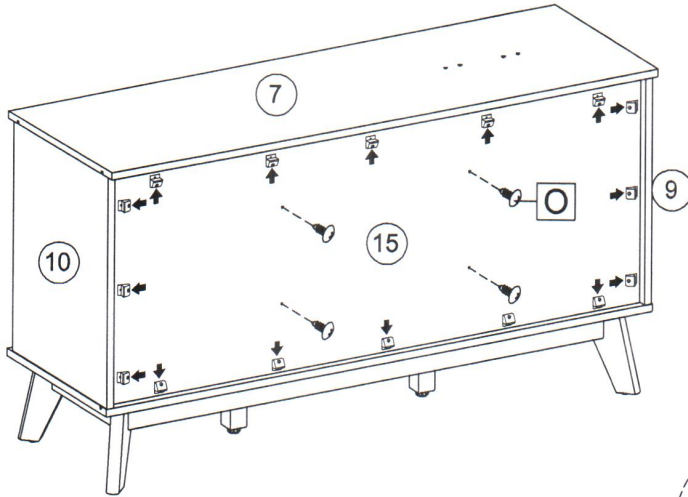
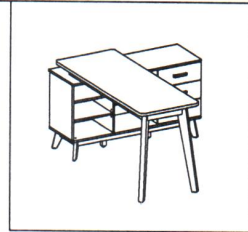
16x

N

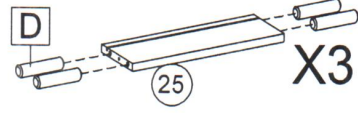
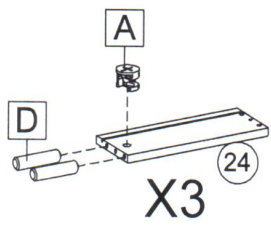
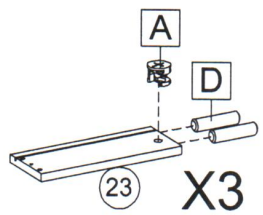
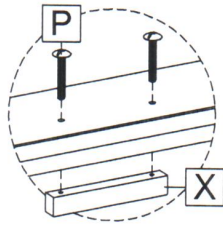
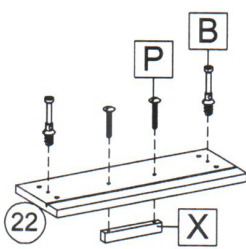
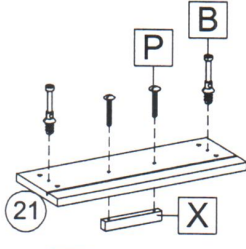
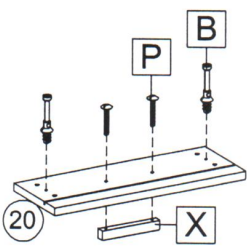
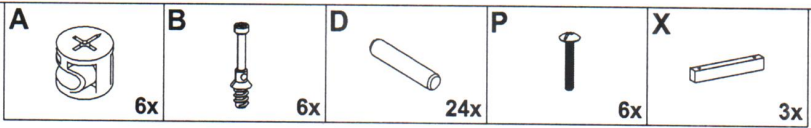
16x

O

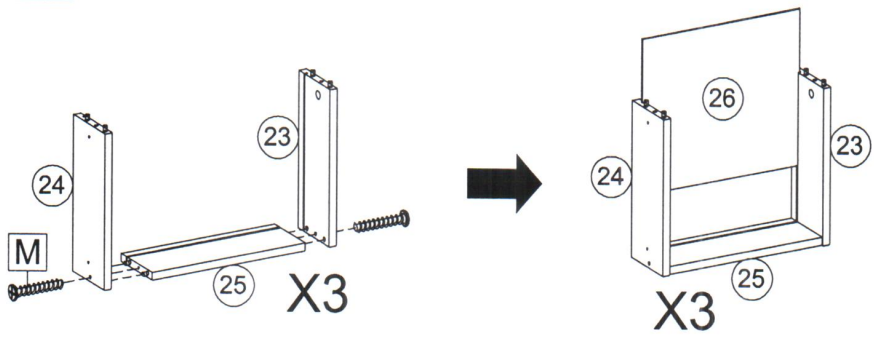
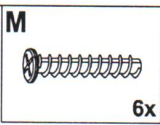
4x



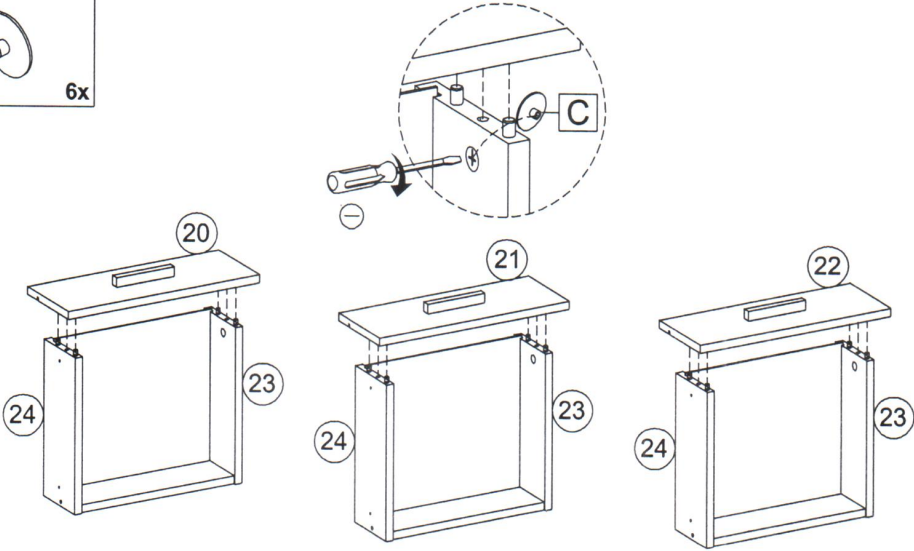
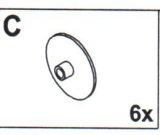
18



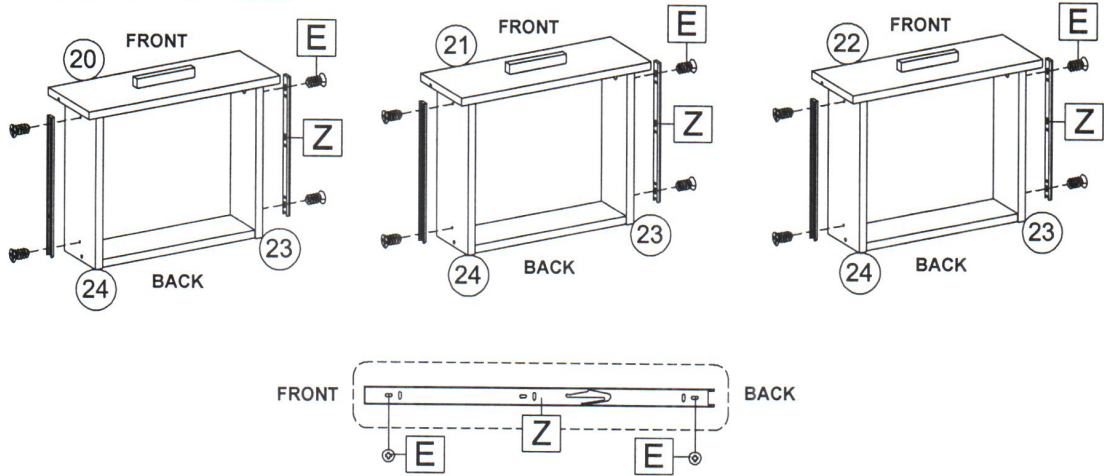
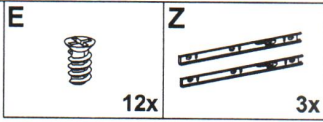
19



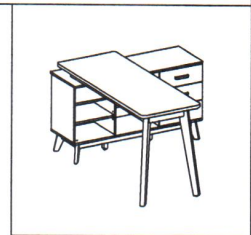
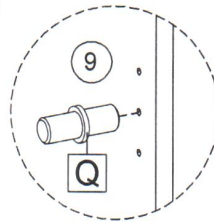
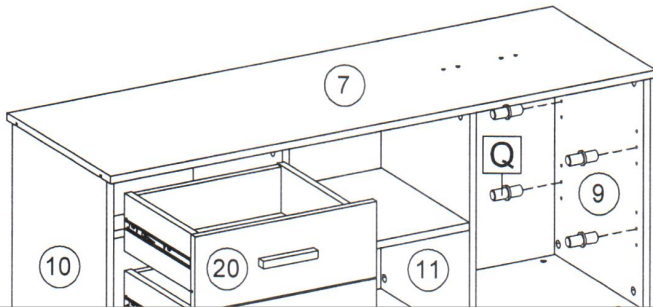
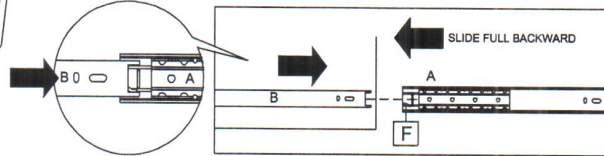
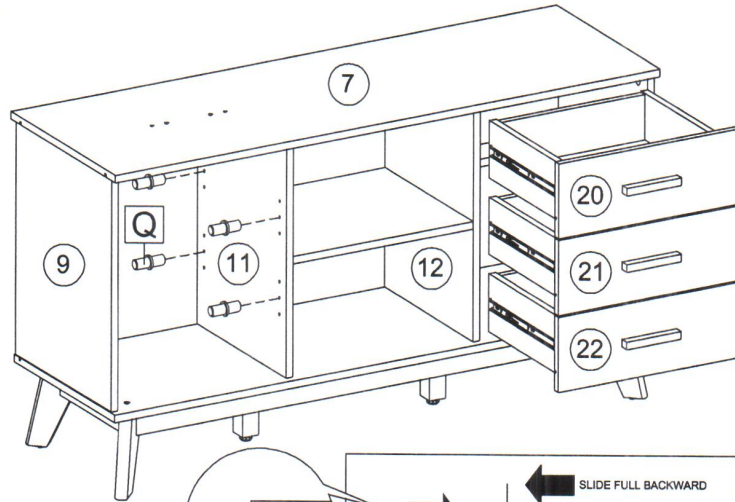
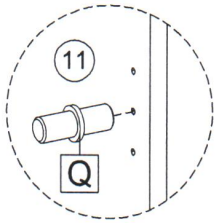
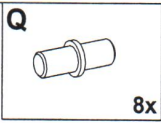
20






21

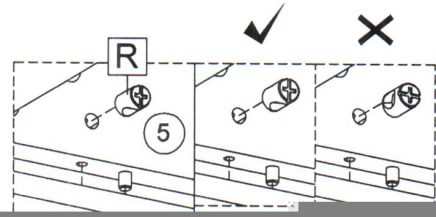
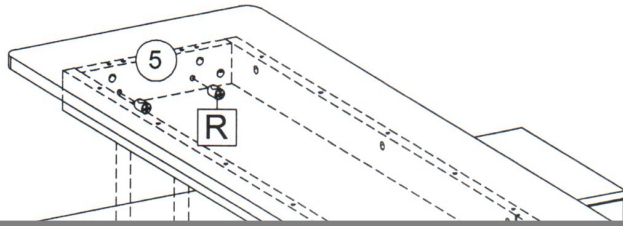


22



23

S  2x	Y  1x	R  2x
--	--	--



The first part of the document discusses the importance of maintaining accurate records in a business setting. It highlights how proper record-keeping can help in decision-making, legal compliance, and financial management. The text emphasizes that records should be organized, up-to-date, and easily accessible to relevant personnel.

Next, the document addresses the challenges of data management in the digital age. With the increasing volume of data generated by various sources, businesses face the task of storing, securing, and analyzing this information effectively. The text suggests implementing robust data management strategies, including regular backups, security protocols, and the use of data analytics tools to extract meaningful insights from the data.

The third section focuses on the role of technology in streamlining business operations. It explores how automation and digital tools can reduce manual tasks, improve efficiency, and minimize errors. Examples of such technologies include accounting software, project management tools, and customer relationship management (CRM) systems. The text encourages businesses to stay updated with the latest technological advancements to remain competitive in the market.

Finally, the document discusses the importance of employee training and development. It stresses that investing in the skills and knowledge of the workforce is crucial for long-term success. The text provides suggestions for creating a learning culture, offering regular training sessions, and providing opportunities for professional growth. It also mentions the benefits of cross-functional training and mentorship programs in enhancing employee performance and loyalty.